



LoRaWAN® IP68 Rated Corrosion Resistant Low Power Ultrasonic Distance and Level Sensor

- Compatible with all LoRaWAN® frequencies
- Wide range of industrial applications
- High accuracy and repeatability
- Designed to meet outdoor applications
- Long-term durable performance in harsh environment
- Ultra-low power
- Suitable for liquid and solid media



TECHNICAL SPECIFICATION

Sensor

• Range	5, 10	m
• Accuracy (combined linearity, hysteresis, repeatability)	±1 (typ.)	%Span
• Resolution	1	mm
• Sensor Minimum Distance	0 ~ 20cm for 5m range 0 ~ 50cm for 10m range	
• Reading-to-reading stability	1mm in 1m (Typ)	
• Compensated Temperature	-10 ~ +60	°C

Power

• Power Supply	Built-in Replaceable Lithium Battery, External Power (option)	
• Rated Voltage	3.6	V
• Battery Lifetime	100,000+ readings and 20,000+ transmission (More than 10 years for most applications)	

Physical

• Materials	Enclosure: ASA/POM, Sensor Head: Parylene coating applied to the surface of the Aluminium transducer	
• Weight	~500	g
• Protection Rate	IP68, UV Protected	

Communication

• LoRaWAN® Version, Class	1.0.2revB, Class A (Class C on request)
• LoRaWAN® Frequency Zone	AS923, EU868, US902-928, AU915-928 (other zones available on request)
• LoRaWAN® Activation Type	OTA (default), ABP
• Sampling Type	Periodic (default), Event triggered
• Sampling Period	Configurable via downlink (default 4 hours)
• Transmission Type	Per sample (default), Event triggered, Conditional
• Parameter Configuration	Over-the-air via LoRaWAN® downlinks Locally via wireless connectivity
• Firmware Update	Locally via Wireless Connectivity, Over The Air

NETWORK CONNECTION AND VISUALISATION

Network Integration

- Integratable to all main networks (Actility, Alibaba, Cisco, Digita, Everynet, Helium, Kerlink, kpn, Lorient, machine-Q, Objenious, Orange, Orbiswise, Proximus, Senet, Sens, Swisscom, TATA, The Things Network (TTN), TTI and any other network)

Visualisation And Data Management

- Ellenex white label microservice platform, and Integratable to all main IIoT platforms directly or through the api (AWS, Azure, PTC ThingWorx, Bosch IoT, Cisco Jasper & Kinetic, Sierra Numerex, MathWorks, ThingSpeak, GE Digital Predix, LandisGyr, Siemens MindSphere, Cumulocity, myDevices, Ubidots, TagoIO, ALSO AllThingsTalk, HPE IoT and any other major IoT platform).

Ellenex Platform Main Features

- Encrypted ultra-low power communication protocol
- Advanced device inventory
- Integration APIs for enterprise systems
- Multi-tenant role-based access control
- Data export and import
- White-label platform for enterprise runs on private account
- Variable alarm setting for high and low thresholds and multi-channel alerting
- Sampling and transmission interval configuration
- Transmission condition configuration
- Other configurations and customisation available on request



Encrypted & ultra-low power



Integratable



Dynamic alerting



Multi-tenant

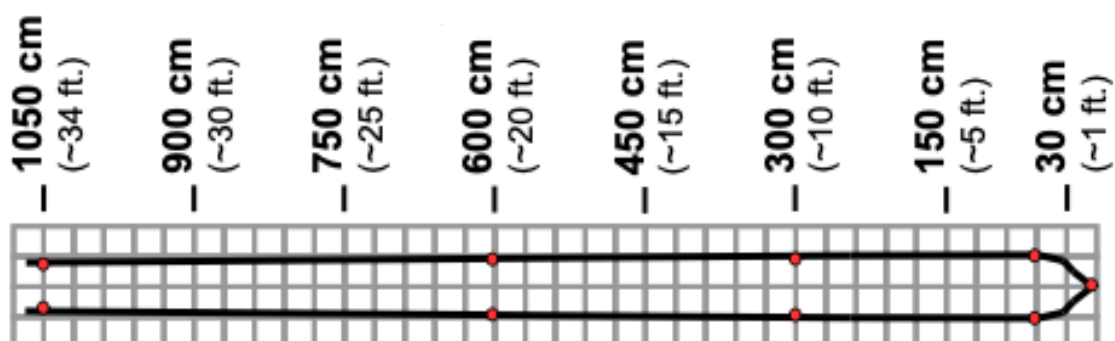


Scalable



Composable & API first

BEAM PATTERN


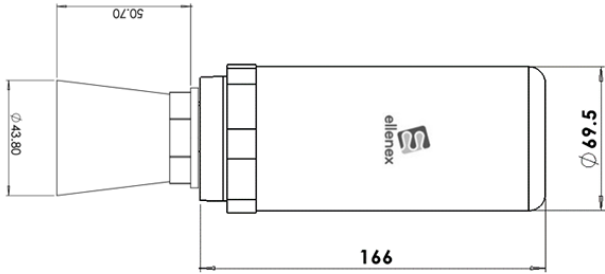


Typical beam patter for 30cm target mover left and right with the board parallel to the sensor face

DUC3-L Spec-sheet



MODEL GUIDE

Model	Option / Schematic
<p data-bbox="124 486 255 517">C Model</p> 	 <p data-bbox="823 813 1106 835">Cylindrical compact, POM enclosure</p>

INDUSTRIES



Water & Environment



Agriculture & Farming



Oil & Gas



Marine & Oceanography



Mining & Construction



Smart Building & HVAC

APPLICATIONS

- Chemical Tanks
- Liquid Delivery Systems
- Liquid Storage

- Diesel Tank
- Hydraulic Containers
- Wastewater Tank

ORDERING CODE

DUC3-L							
LoRaWAN Frequency Zone							
AS (AS923)		AUx (AU915-928) <small>(Sub Band x)</small>		EU (EU868)		USx (US902-928) <small>(Sub Band x)</small>	
LoRaWAN Activation							
A (Over The Air Activation - OTAA)				P (Activation By Personalization - ABP)			
Measurement Range							
5 Meters, 10 Meters							
Device Activation							
X : No Switch <small>(always on)</small>							
Antenna Option							
I : Internal				E : External			
Options <small>(On request)</small>							
DUC3-L	AS	A	5m	X	I		

Sample Product Code:

- DUC3-L-AS-A-5m-X-I**

LoRaWAN[®] ultrasonic corrosion resistant distance sensor, frequency AS923, over the air activated, measurement range of 5m, with cylindrical housing (compact and IP68 rated), always on and with internal antenna.