



## NB IoT – Cat-M1 Corrosion Resistant Low Power Ultrasonic Distance and Level Sensor

- Compatible with most standard communication Protocols (UDP, LwM2M, MQTT, NIDD, etc.)
- Wide range of industrial applications
- High accuracy and repeatability
- Designed to meet outdoor applications
- Long-term durable performance in harsh environment
- Ultra-low power
- Suitable for liquid and solid media



## TECHNICAL SPECIFICATION

### Sensor

|  |   |       |
|--|---|-------|
| • Range:   | 5,10  | m     |
| • Accuracy:<br>(combined linearity, hysteresis, repeatability) | ±1 (typ.)                                       | %Span |
| • Resolution:  | 1   | mm    |
| • Sensor Minimum Distance:                                     | 0 ~ 20cm for 5m range<br>0 ~ 50cm for 10m range |       |
| • Reading-to-reading stability:                                | 1mm in 1m (Typ)                                 |       |
| • Compensated Temperature:                                     | -10 ~ +65                                       | °C    |

### Power

|                     |  |   |
|---------------------|--|---|
| • Power Supply:     | Built-in Replaceable Lithium Battery, External Power (option)  |   |
| • Rated Voltage     | 3.6  | V |
| • Battery Lifetime: | 50,000+ readings and 10,000+ transmission<br>(With UDP protocol/ More than 10 years for most applications) |   |

### Physical Specification

|                    |  |   |
|--------------------|--|---|
| • Materials:       | Enclosure: ASA/POM, Sensor Head: Parylene coating applied to the surface of the Aluminium transducer |   |
| • Weight:          | ~500   | g |
| • Protection Rate: | IP66   | - |

### Communication

|                      |   |  |
|----------------------|---|--|
| • SIM Card Type      | 4FF Nano-SIM, from any Network Provider         |  |
| • Firmware Update:   | Over The Air, Locally via Wireless Connectivity |  |
| • Sampling Period:   | Configurable via downlink (default 4 hours)     |  |
| • Power Consumption: | Power Saving: < 5uA, Transmission: < 220mA      |  |

|                             |   |
|-----------------------------|---|
| • Communication Standards   | Cat-NB1 (NB-IoT)<br>Cat-M1<br>(option of back support by GPRS)  |
| • Communication Bands       | B1/B2/B3/B4/B5/B8/B12/B13/B18/B19/B20/B26/B28 and B39   |
| • Data Rates:               | Cat-M1: 375Kbps (DL)/375Kbps (UL)<br>NB-IoT: 32Kbps (DL)/70Kbps (UL)  |
| • TX Power:                 | 23dBm   |
| • Min Receiver Sensitivity: | Cat-M1: -107dBm<br>NB-IoT: -113dBm  |
| • Antenna:                  | Internal (Default)/ External<br>(customised options available)  |
| • Optional Features:        | <ul style="list-style-type: none"> <li>• Attach without PDN (Packet Data Network)</li> <li>• Support for IPV6</li> <li>• SMS communication</li> <li>• Mobility support (Cat-M1 only)</li> </ul> |

## NETWORK CONNECTION AND VISUALISATION

### Network Integration

Pre-configured or configurable to all main narrow band networks (3, A1, AT&T, China Mobile, DU, Etisalat, KPN, M1 Singapore, Optus, Orange, Proximus, Spark, Sprint, Swisscom, Telefonica, Telstra, T-Mobile, Verizon, Vodafone, 1NCE, Emnify and any other network)

### Visualisation and Data Management

Ellenex white label microservice platform and Integratable to all main IIoT platforms directly or through the API(AWS, Azure, PTC ThingWorx, Bosch IoT, Cisco Jasper & Kinetic, Sierra Numerex, MathWorks ThingSpeak, GE Digital Predix, LandisGyr, Siemens MindSphere, Cumulocity, myDevices, Ubidots, TagoIO, AllThingsTalk Maker, HPE IoT and any other major IoT platform).

### Ellenex Platform Main Features

- Encrypted ultra-low power communication protocol
- Advanced device inventory
- Integration APIs for enterprise systems
- Multi-tenant role-based access control
- Data export and import
- White-label platform for enterprise runs on private account
- Variable alarm setting for high and low thresholds and multi-channel alerting
- Sampling and transmission interval configuration
- Transmission condition configuration
- Other configurations and customisation available on request



Encrypted & ultra-low power



Integratable



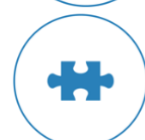
Dynamic alerting



Multi-tenant



Scalable

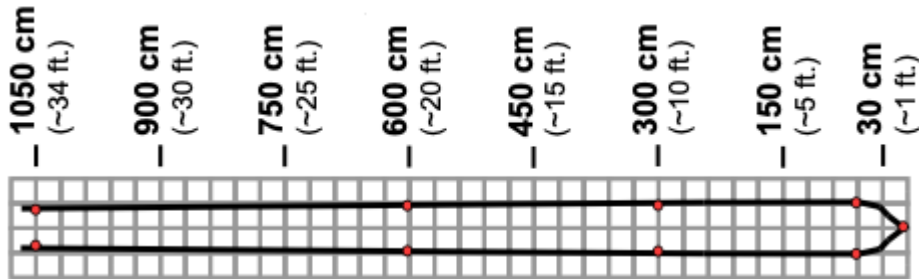


Composable & API first

# DUC2-N Spec-sheet


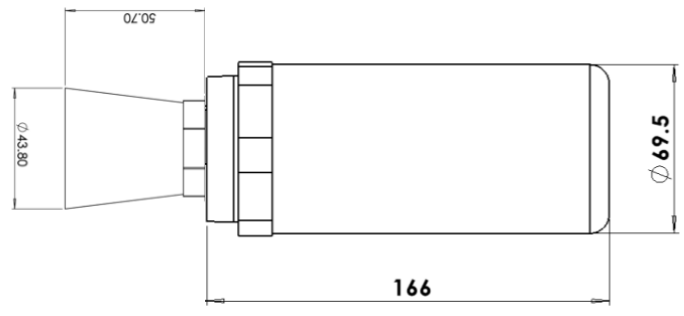

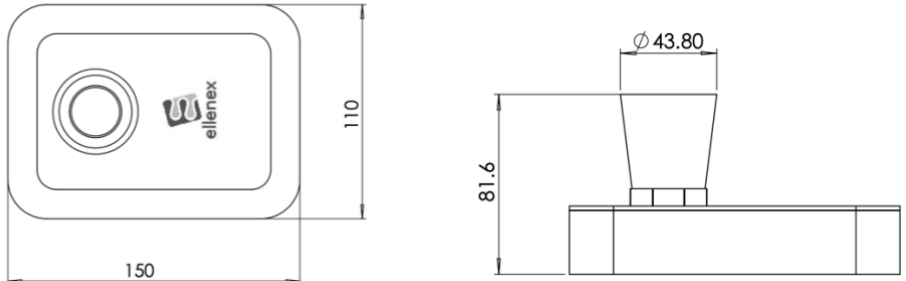


## Beam pattern



Typical beam patter for 30cm target mover left and right with the board parallel to the sensor face

## MODEL GUIDE

| Model   | Options:   |
|---|--|
| <p>C Model:</p>   |  <p>Cylindrical compact, POM enclosure</p>            |
| <p>E Model:</p>  |  <p>Rectangular ASA enclosure with on/off switch</p> |

## INDUSTRIES



Water & Environment



Agriculture & Farming



Oil & Gas



Marine & Oceanography



Mining & Construction



Smart Building & HVAC

## APPLICATIONS

- Chemical Tanks
- Liquid Delivery Systems
- Water Resources Level
- Food industry
- Diesel Tank
- Liquid Storage
- Hydraulic Containers
- Wastewater Tank

## ORDERING CODE

|  |   |    |    |  |   |  |  |
|--|---|----|----|--|---|--|--|
| DUC2-N   |   |    |    |  |   |  |  |
| <b>Communication Type</b>                            |   |    |    |  |   |  |  |
| B: NB-IoT  |   |    |    | C: Cat-M1                                  |   |  |  |
| <b>Measurement Range</b>                             |   |    |    |  |   |  |  |
| 5, 10 meters   |   |    |    |  |   |  |  |
| <b>Enclosure</b>                                     |   |    |    |  |   |  |  |
| C5: Cylindrical housing, IP65                        |   |    |    | E5: Rectangular housing, IP65              |   |  |  |
| <b>Device Activation</b>                             |   |    |    |  |   |  |  |
| S: on/off switch<br><small>(Only for E Type)</small> |   |    |    | X: No switch<br><small>(always on)</small> |   |  |  |
| <b>Antenna</b>                                       |   |    |    |  |   |  |  |
| I: Internal  |   |    |    | E: External                                |   |  |  |
| <b>Options</b>                                       |   |    |    |  |   |  |  |
| (On request) <sup>1</sup>                            |   |    |    |  |   |  |  |
| DUC2-N   | B | 5m | C5 | X  | I |  |  |

### Sample Product Code:

- **DUC2-N-B-5m-C5-X-I**

NB-IoT ultrasonic distance sensor, range of 5m, with C5 housing (compact and IP65 rated), always on and with internal antenna.

### <sup>1)</sup> Product Options:

- **EP**: sensor with external power supply connector for 12V supply (only for E type enclosure, adaptor is not included)
- **EPB**: connector for 12V supply with internal battery backup (only for E type enclosure)
- **HG**: high-gain external antenna
- **WF**: Active WiFi module on device for communication/ firmware update through Mobile phone NFC module (only for E type enclosure)
- **HCB**: high-capacity battery (only for E type enclosure)