



## Industrial NB IoT – Cat-M1 Operated Low Power Conductivity and Salinity Sensor

- Compatible with most standard communication Protocols (UDP, LwM2M, MQTT, NIDD, etc.)
- Wide range of industrial applications
- High accuracy
- Designed to meet outdoor applications
- Long-term durable performance in harsh environment
- Ultra-low power
- Pre-configured with no need of programming or hardware setting



## TECHNICAL SPECIFICATION

### Sensor

• Measure ranges conductivity	0- 200 0- 2,000 0- 20 0- 200	µS/cm µS/cm mS/cm mS/cm
• Accuracy:	±1 (typ.) (For more than 100 mS/cm appropriate buffer solution is required)	%FS
• Resolution:	0.01-1 according to range	
• Measurement range salinity	5-60	g/Kg
• Measurement range TDS-KCl	0-133,000	ppm
• Temperature compensation	NTC	
• Storage Temperature:	-10 to +60	°C
• Operation Temperature:	0 to +50	°C

### Power

• Power Supply:	Built-in Replaceable Lithium Battery External Power (option)	
• Rated Voltage	3.6	V
• Battery Lifetime:	10,000+ Readings and 5,000+ Transmission (With UDP protocol/ More than 5 years for most of applications)	

### Physical Specification

• Materials:	Sensor Head: PVC, DELRIN, stainless steel Enclosure: POM	
• Max. Pressure on Sensor Head:	5bar	
• Weight:	~900 (for 3m cable)	g
• Protection Rate:	IP68 for sensor head and IP66 or IP68 and UV protected enclosure	

## Communication

• Communication Standards	Cat-NB1 (NB-IoT) Cat-M1 (option of back support by GPRS)
• Communication Bands	B1/B2/B3/B4/B5/B8/B12/B13/B18/B19/B20/B26/B28 and B39
• Data Rates:	Cat-M1: 375Kbps (DL)/375Kbps (UL) NB-IoT: 32Kbps (DL)/70Kbps (UL)
• TX Power:	23dBm
• Min Receiver Sensitivity:	Cat-M1: -107dBm NB-IoT: -113dBm
• Antenna:	Internal (Default)/ External (customised options available)
• Optional Features:	<ul style="list-style-type: none"> <li>• Attach without PDN (Packet Data Network)</li> <li>• Support for IPV6</li> <li>• SMS communication</li> <li>• Mobility support (Cat-M1 only)</li> </ul>

## NETWORK CONNECTION AND VISUALISATION

### Network Integration

Pre-configured or configurable to all main narrow band networks (3, A1, AT&T, China Mobile, DU, Etisalat, KPN, M1 Singapore, Optus, Orange, Proximus, Spark, Sprint, Swisscom, Telefonica, Telstra, T-Mobile, Verizon, Vodafone, 1NCE, Emnify and any other network)

### Visualisation and Data Management

Ellenex white label microservice platform and Integratable to all main IIoT platforms directly or through the API (AWS, Azure, PTC ThingWorx, Bosch IoT, Cisco Jasper & Kinetic, Sierra Numerex, MathWorks ThingSpeak, GE Digital Predix, LandisGyr, Siemens MindSphere, Cumulocity, myDevices, Ubidots, TagoIO, AllThingsTalk, HPE IoT and any other major IoT platform).

### Ellenex Platform Main Features

- Encrypted ultra-low power communication protocol
- Advanced device inventory
- Integration APIs for enterprise systems
- Multi-tenant role-based access control
- Data export and import
- White-label platform for enterprise runs on private account
- Variable alarm setting for high and low thresholds and multi-channel alerting
- Sampling and transmission interval configuration
- Transmission condition configuration
- Other configurations and customisation available on request



Encrypted & ultra-low power



Integratable



Dynamic alerting



Multi-tenant


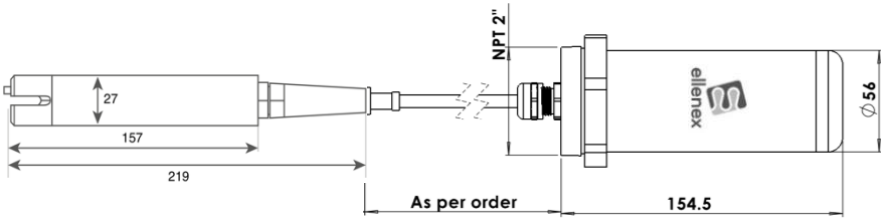

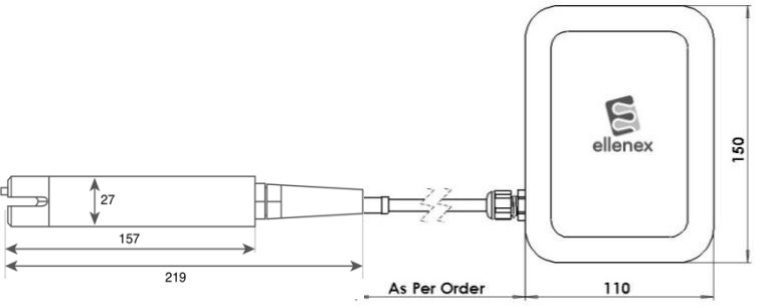


Scalable



Composable & API first

## MODEL GUIDE

Model	Drawing:
<p>C Model:</p> 	 <p>IP68 sensor head, connected to POM enclosure                      IP68 enclosure: with cable gland, without on/off switch, and with internal antenna                      IP66 enclosure: with sensor connector, on/off switch, and external antenna</p>
<p>E Model:</p> 	 <p>IP68 sensor head, connected to IP65 ASA enclosure with on/off switch</p>

## INDUSTRIES



Water & Wastewater



Agriculture & Farming



Oil & Gas



Marine & Oceanography



Mining & Construction



Environmental Monitoring

## APPLICATIONS

- Bore Hole Mineral Level
- Water Resources
- Surface Water, Rivers and Catchments
- Sea water
- Wastewater Tanks
- Industrial Wastewater
- Regulatory Automated Reporting
- Drinking Water

## ORDERING CODE

<b>CSD2-N</b>							
<b>Communication Type</b>							
<b>B: NB-IoT</b>				<b>C: Cat-M1</b>			
<b>Measurement range</b>							
<b>A: 0-200<math>\mu</math>S/cm</b>		<b>B: 0-2000<math>\mu</math>S/cm</b>		<b>C: 0-20mS/cm</b>		<b>D: 0-200mS/cm</b>	
<b>Enclosure</b>							
<b>C: Cylindrical</b>				<b>E: Rectangular</b>			
<b>Cable Length</b>							
<b>S: 3m</b>				<b>Others</b>			
<b>Device Activation</b>							
<b>S: On/Off switch</b>				<b>X: No switch (Always on)</b>			
<b>Antenna</b>							
<b>I: Internal</b>				<b>E: External</b>			
<b>Options</b>							
<b>(on request)<sup>1</sup></b>							
<b>CSD2-N</b>	<b>B</b>	<b>B</b>	<b>C</b>	<b>S</b>	<b>S</b>	<b>I</b>	

### Sample Product Code:

- **CSD2-N-B-B-C-S-S-I**

NB IoT conductivity sensor, measurement range of 0-2000 $\mu$ S/cm, In cylindrical enclosure, standard cable length, with on/off switch and internal antenna.

### <sup>1</sup> Product Options:

- **EP**: sensor with external power supply connector for 12V supply (only for E type enclosure, adaptor is not included)
- **EPB**: connector for 12V supply with internal battery backup (only for E type enclosure)
- **HG**: high-gain external antenna
- **WF**: Active WiFi module on device for communication/ firmware update through Mobile phone NFC module (only for E type enclosure)
- **HCB**: high-capacity battery (only for E type enclosure)