



## NB IoT – Cat-M1 IP68 Rated Corrosion Resistant Low Power Radar Distance and Level Sensor

- Compatible with most standard communication Protocols (UDP, LwM2M, MQTT, NIDD, etc.)
- Wide range of industrial applications
- High accuracy and repeatability
- Designed to meet outdoor applications
- Long-term durable performance in harsh environment
- Ultra-low power
- Suitable for liquid and solid media



## TECHNICAL SPECIFICATION

### Sensor

• Range:	10	m
• Accuracy: (combined linearity, hysteresis, repeatability)	± 0.25 (typ.)	%Span
• Resolution:	±2	mm
• Sensor Minimum Distance:	0 ~ 20	cm
• Process Pressure	-1 to 3	bar
• Frequency:	80	GHz
• Beam angle:	15	°
• Compensated Temperature:	-20 ~ +85	°C

### Power

• Power Supply:	Built-in Replaceable Lithium Battery, External Power (option)	
• Rated Voltage	3.6	V
• Battery Lifetime:	50,000+ readings and 10,000+ transmission (With UDP protocol/ More than 10 years for most applications)	

### Physical Specification

• Materials:	Enclosure: POM, Sensor Head: PVDF, PA6 and Fiberglass	
• Weight:	~700	g
• Protection Rate:	IP68	-

### Communication

• SIM Card Type	4FF Nano-SIM, from any Network Provider	
• Firmware Update:	Over The Air, Locally via Wireless Connectivity	
• Sampling Period:	Configurable via downlink (default 4 hours)	
• Power Consumption:	Power Saving: < 5uA, Transmission: < 220mA	

• Communication Standards	Cat-NB1 (NB-IoT) Cat-M1 (option of back support by GPRS)
• Communication Bands	B1/B2/B3/B4/B5/B8/B12/B13/B18/B19/B20/B26/B28 and B39
• Data Rates:	Cat-M1: 375Kbps (DL)/375Kbps (UL) NB-IoT: 32Kbps (DL)/70Kbps (UL)
• TX Power:	23dBm
• Min Receiver Sensitivity:	Cat-M1: -107dBm NB-IoT: -113dBm
• Antenna:	Internal (Default)/ External (optional) (customised options available)
• Optional Features:	<ul style="list-style-type: none"> <li>• Attach without PDN (Packet Data Network)</li> <li>• Support for IPV6</li> <li>• SMS communication</li> <li>• Mobility support (Cat-M1 only)</li> </ul>

## NETWORK CONNECTION AND VISUALISATION

### Network Integration

Pre-configured or configurable to all main narrow band networks (3, A1, AT&T, China Mobile, DU, Etisalat, KPN, M1 Singapore, Optus, Orange, Proximus, Spark, Sprint, Swisscom, Telefonica, Telstra, T-Mobile, Verizon, Vodafone, 1NCE, Emnify and any other network)

### Visualisation and Data Management

Ellenex white label microservice platform and Integratable to all main IIoT platforms directly or through the API(AWS, Azure, PTC ThingWorx, Bosch IoT, Cisco Jasper & Kinetic, Sierra Numerex, MathWorks ThingSpeak, GE Digital Predix, LandisGyr, Siemens MindSphere, Cumulocity, myDevices, Ubidots, TagoIO, AllThingsTalk Maker, HPE IoT and any other major IoT platform).

### Ellenex Platform Main Features

- Encrypted ultra-low power communication protocol
- Advanced device inventory
- Integration APIs for enterprise systems
- Multi-tenant role-based access control
- Data export and import
- White-label platform for enterprise runs on private account
- Variable alarm setting for high and low thresholds and multi-channel alerting
- Sampling and transmission interval configuration
- Transmission condition configuration
- Other configurations and customisation available on request



Encrypted & ultra-low power



Integratable



Dynamic alerting



Multi-tenant


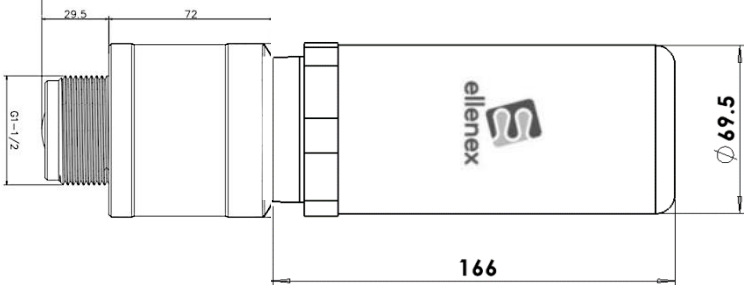


Scalable



Composable & API first

## MODEL GUIDE

Model	Options:
<p>C Model:</p> 	 <p>Cylindrical compact, POM enclosure</p>

## INDUSTRIES



Water & Environment



Agriculture & Farming



Oil & Gas



Marine & Oceanography



Mining & Construction



Smart Building & HVAC

## APPLICATIONS

- Flood alarming
- Corrosive Liquid Storage
- Manhole and underground water way
- Wastewater Tank

## ORDERING CODE

DRC3-N					
Communication Type					
B: NB-IoT			C: Cat-M1		
Measurement Range					
10 meters					
Device Activation					
X: No switch <small>(always on)</small>			Others on request		
Antenna					
I: Internal			E: on request		
Options (On request)					
DRC3-N	B	10m	X	I	

### Sample Product Code:

- **DRC3-N-B-10m-X-I**

NB-IoT radar distance sensor, range of 10m, with cylindrical housing (compact and IP68 rated), always on and with internal antenna.